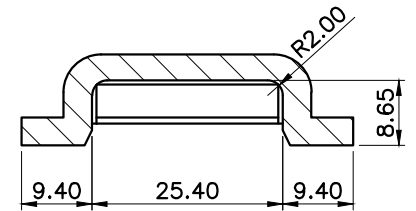
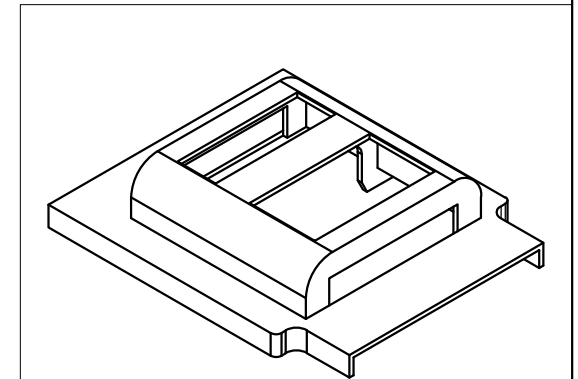
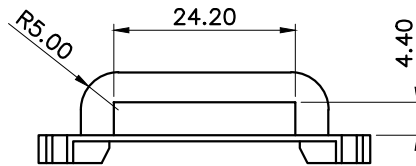


SECTION A-A



SECTION B-B



EPC 43*44 "H" (12P) 2F (F),(G) 공용 사용

△									
△									
△									
△									
MARK	REVISION NOTE					DATE	DRAWN	CHECKED	APPROVED
	DRAWN	CHECKED	APPROVED	MATERIAL : PET	UL REC. : UL94V-0	THIRD ANGLE PROJ.	SCALE : 1/1		
	Deok Man, Cho	Hyung Seok, Lee	Chul, Park		DATE : 2009.09.03	TOLERANCE : ±0.2 (Unless otherwise specified)	UNIT : m/m		
	주식회사 대흥보빈 DAE HEUNG BOBBIN CO., LTD			TITLE EPC 43*44 "H" (12P) 2F CAP (F)	DWG NO DH-090917-7052-10				